

## Notes:

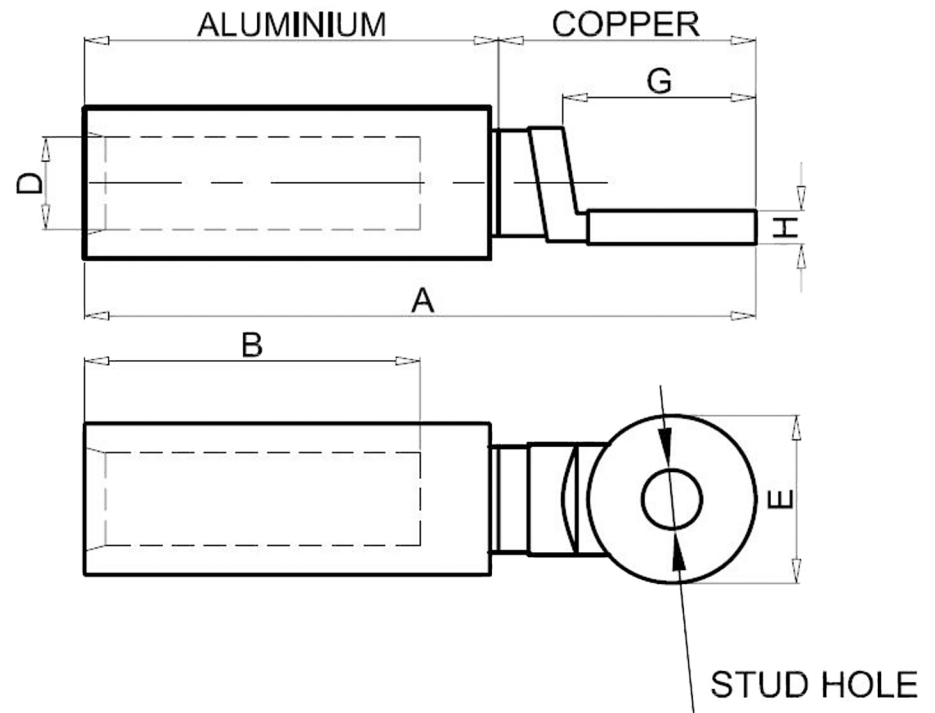
1. Terminal Material: Aluminum & Copper
2. Wire Size: 3/0 AWG (95mm<sup>2</sup>)
3. Stud Size: 3/8" Stud
4. Operating Temperature: -40°C to 100°C

### Standard (Metric)

A: 4.52" (115mm)  
 B: 2.4" (60mm)  
 D: 0.53" (13.5mm)  
 E: 0.94" (24mm)  
 G: 1.02" (26mm)  
 H: 0.24" (6mm)

### Tolerances

(Unless Otherwise Specified)



**CATEGORY**

Bimetallic  
Compression Lugs

**SCALE**

4/1

**PART #**

BML95-10

**SHEET**

1-3

**MATERIAL**

Aluminum & Copper

**PAGE**

10F2



**MIROMAR**