

Notes:

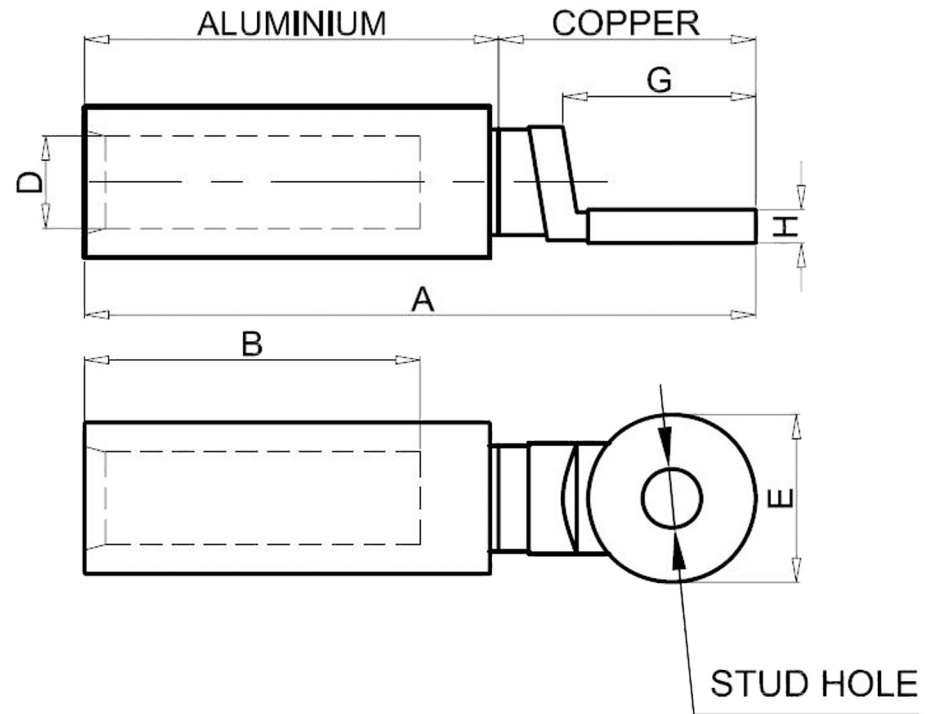
1. Terminal Material: Aluminum & Copper
2. Wire Size: 2/0 AWG (70mm²)
3. Stud Size: 1/2" Stud
4. Operating Temperature: -40°C to 100°C

Standard (Metric)

A: 2.95" (75mm)
 B: 1.3" (32mm)
 D: 0.45" (11.5mm)
 E: 0.94" (24mm)
 G: 1.02" (26mm)
 H: 0.18" (4.5mm)

Tolerances

(Unless Otherwise Specified)



CATEGORY	Bimetallic Compression Lugs	SCALE	4/1
PART #	BML70-12	SHEET	1-3
MATERIAL	Aluminum & Copper	PAGE	10F2

