

## Notes:

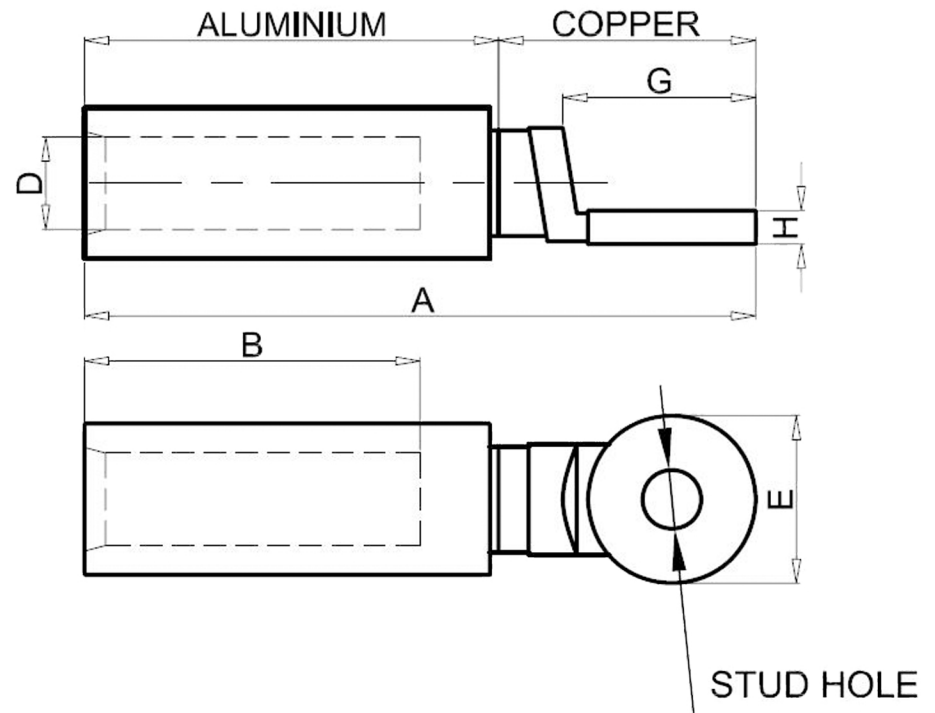
1. Terminal Material: Aluminum & Copper
2. Wire Size: 350 MCM (185mm<sup>2</sup>)
3. Stud Size: 1/2" Stud
4. Operating Temperature: -40°C to 100°C

### Standard (Metric)

A: 4.72" (120mm)  
 B: 2.4" (60mm)  
 D: 0.73" (18.5mm)  
 E: 1.4" (35mm)  
 G: 1.5" (38mm)  
 H: 0.28" (7mm)

### Tolerances

(Unless Otherwise Specified)



**CATEGORY**

Bimetallic  
Compression Lugs

**SCALE**

4/1

**PART #**

BML185-12

**SHEET**

1-3

**MATERIAL**

Aluminum & Copper

**PAGE**

10F2



**MIROMAR**