

Notes:

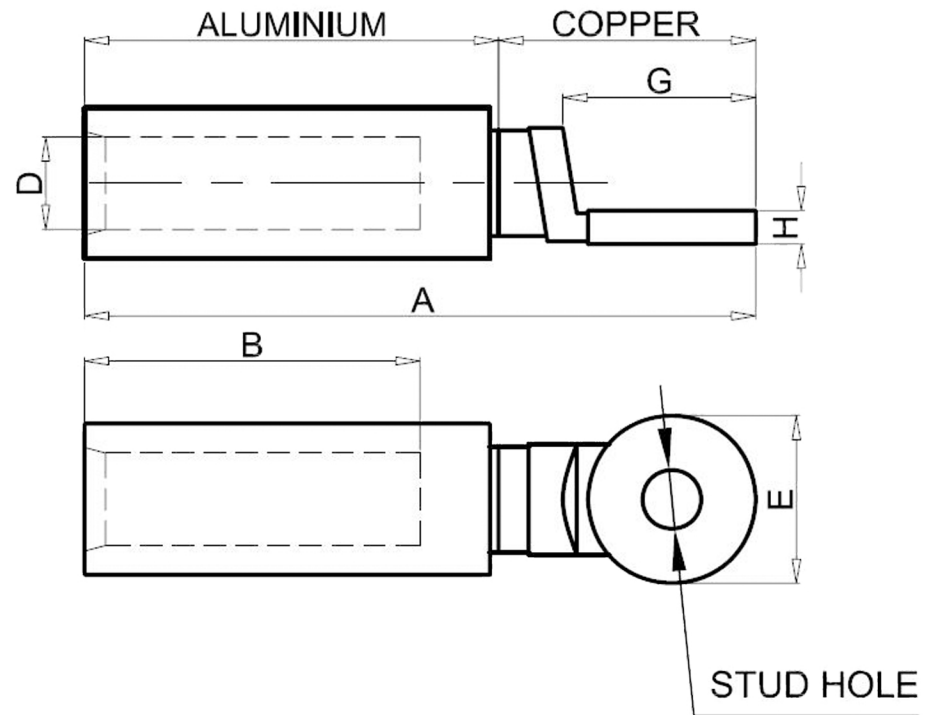
1. Terminal Material: Aluminum & Copper
2. Wire Size: 250 MCM (150mm²)
3. Stud Size: 1/2" Stud
4. Operating Temperature: -40°C to 100°C

Standard (Metric)

A: 4.72" (120mm)
 B: 2.4" (60mm)
 D: 0.65" (16.5mm)
 E: 1.18" (30mm)
 G: 1.3" (33mm)
 H: 0.28" (7mm)

Tolerances

(Unless Otherwise Specified)



CATEGORY

Bimetallic
Compression Lugs

SCALE

4/1

PART #

BML150-12

SHEET

1-3

MATERIAL

Aluminum & Copper

PAGE

10F2



MIROMAR