

Notes:

- Maximum Electric Current:

AWG	22	20	18	16
AMP	9	12	17	18
- Terminal Material: Copper
- Wire Range: 22-16 AWG (0.5-1.5mm²)
- Terminal Surface Treatment: Tin Plated
- Terminal Thickness: 0.75mm

Standard (Metric)

- 0.46 (11.6mm)
- 0.18 (4.8mm)
- 0.20 (5mm)
- 0.22 (5.5mm)
- 0.12 (3.2mm)
- 0.06 (1.7mm)
- 0.13 (3.4mm)

Tolerances

(Unless Otherwise Specified)

CATEGORY

Non Insulated Fork Terminal

SCALE

4/1

PART #

ANB1-32

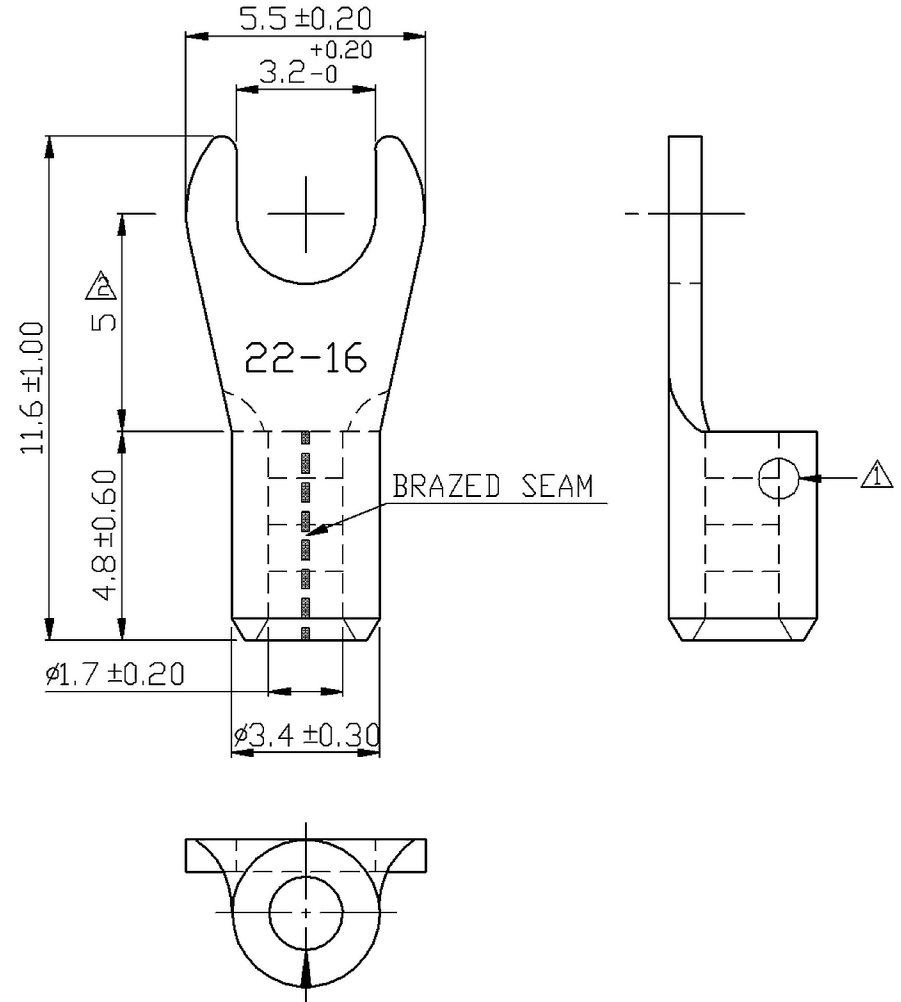
SHEET

1-1

MATERIAL

Tin-Plated Copper

PAGE



MIROMAR