

Notes:

- Maximum Electrical Current:

AWG	16	14		
AMP	18	30		
- Maximum Electrical Rating: 75° 600 Volts
- Terminal Material: Copper
- Wire Range: 16-14 AWG (1.5-2.5mm²)
- Thickness: 0.80mm
- Terminal Surface Treatment: Tin Plated
- #8 Stud Size
- Insulation Material: Vinyl
- Insulation Color: Blue

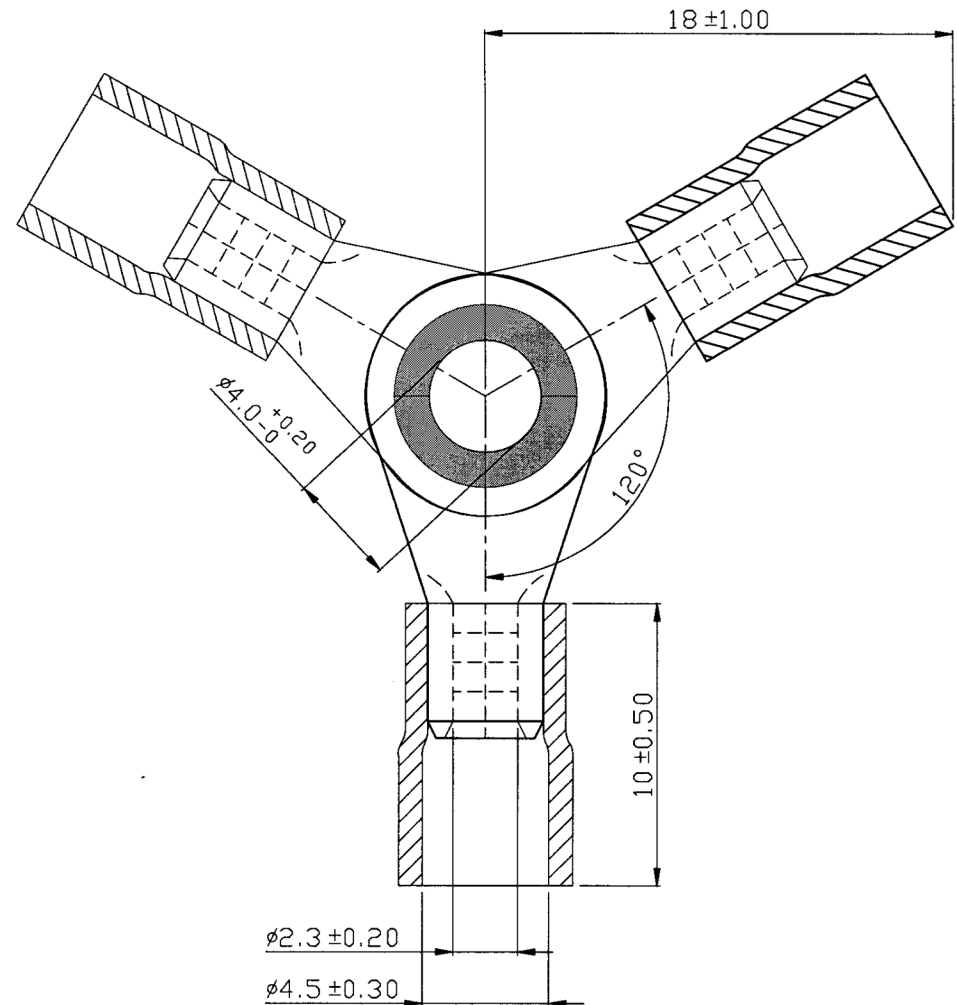
Standard (Metric)

0.71" (18mm)
 0.39" (10mm)
 0.18" (4.5mm)
 0.09" (2.3mm)
 0.16" (4mm)

Tolerances

(Unless Otherwise Specified)

CATEGORY	Vinyl Insulated 3 Way Connector	SCALE	4/1
PART #	3WCV2	SHEET	1-0
MATERIAL	Tin Plated Copper	PAGE	10F1



MIROMAR