

Notes:

- Maximum Electrical Current:

| | | | |
|-----|----|----|--|
| AWG | 12 | 10 | |
| AMP | 35 | 50 | |
- Maximum Electrical Rating: 75° 600 Volts
- Terminal Material: Copper
- Wire Range: 12-10 AWG (4-6mm²)
- Terminal Surface Treatment: Tin Plated
- #8 Stud Size

Standard (Metric)

0.59" (15mm)
 0.24" (6mm)
 0.16" (4mm)
 0.13" (3.4mm)
 0.22" (5.6mm)

Tolerances

(Unless Otherwise Specified)

CATEGORY

Non Insulated
3 Way Connector

SCALE

4/1

PART #

3WCN5

SHEET

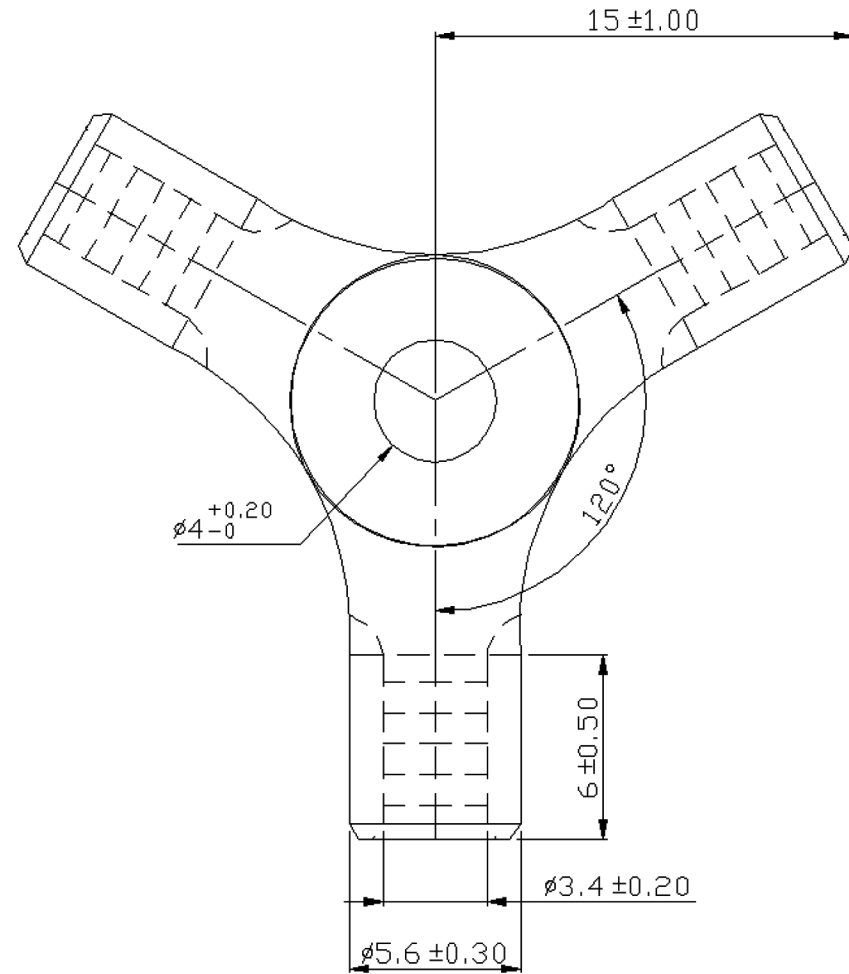
1-0

MATERIAL

Tin Plated Copper

PAGE

10F1



MIROMAR